

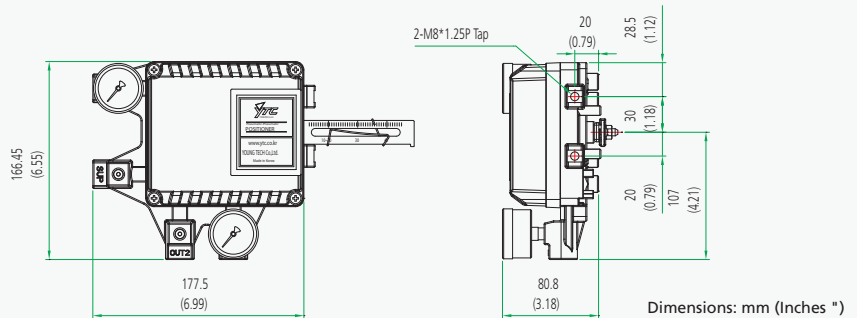
Pneumatic-Pneumatic Positioner YT-1200

Design features

- **Simple zero and span adjustment.** Internal hand dials and locking screws for 4 mA to 20 mA range adjustments.
- **Reverse and Direct Acting Settings.** Full and 1/2 split range setting by simple adjustment.
- **High vibration resistant.** No resonance between 5 - 200 Hz.
- **Auto / Manual switch.** Internal adjustment with lock screw safety.



YT-1200 Aluminum Enclosure



Item Type	YT-1200L & YT-1200R	
	Single	Double
Input Signal	0.02 - 0.1 MPa (0.2 - 1 bar)	
Supply Pressure	0.14 - 0.7 MPa (1.4 - 7 bar)	
Stroke	Linear Type	10 - 150 mm
	Rotary Type	0 - 90°
Air Connection	PT(NPT)1/4	
Gauge Connection	PT(NPT)1/8	
Ingress Protection	IP66	
Operating Temp. (Standard Type)	-20 - 70 °C (-4 - 158 °F)	
Linearity	Linear Type	± 1% F.S. ± 2% F.S.
	Rotary Type	± 2% F.S.
Hysteresis	± 1% F.S.	
Sensitivity	Linear Type	± 0.2% F.S. ± 0.5% F.S.
	Rotary Type	± 0.5% F.S.
Repeatability	± 0.5% F.S.	
Air Consumption	2.5 LPM (sup = 0.14 MPa)	
Flow Capacity	80 LPM (sup = 0.14 MPa)	
Material	Aluminium Diecasting	
Weight	1.7 kg (3.1 lb)	

Product Code

YT-1200R - S - 1 - 1 - 2 - S - (0)

Model

YT-1200L = Linear Positioner
YT-1200R = Rotary Positioner

Acting Type

S = Single
D = Double

Lever Type

Linear	Rotary
1 = 10-40 mm	1 = M6 x 34L
2 = 30-70 mm	2 = M6 x 63L
3 = 60-100 mm	3 = M8 x 34L
4 = 100-150 mm	4 = M8 x 63L
	5 = NAMUR

Orifice Type

1 = Φ1
2 = Φ2
3 = None

Air Connection

Linear
1 = PT 1/4
2 = NPT 1/4

Operating Temp.

S = -20 to 70 °C
H = -20 to 120 °C
L = -40 to 70 °C

Option (Rotary only)

0 = None
1 = Dome Cover
2 = 4 - 20 mA feedback - 5VR
3 = 4 - 20 mA feedback - 6VR
4 = Limit Switch (YT-850)
5 = Limit Switch (YT-870)
6 = 4 - 20 mA feedback + Limit Switch (YT-870)