

Position Transmitters SPTM-6V / SPTM-65V

Design features

- **Loop powered 2 wire type.**
- **High accuracy and reliability.** Stable Output and repeatability.
- **Reverse or Direct acting.** Easy to configure options.
- **Smart setting.** Easy setting of zero and span by pressing the buttons (2 or 5 points setup).



SPTM-6V



SPTM-65V



Item Type	SPTM-6V	SPTM-65V
Connection Type	2Wire	
Input Signal	Linear	0 - 30°
	Rotary	0 - 90°
Output Signal	4 - 20 mA DC	
Load Resistance	$R_L \leq \frac{V_s[v] - 9[v]}{I [mA]}$	
Supply Voltage	9 - 28 V DC	
Noise Range	50 mV p.p	
Conduit	PF 1/2 (G 1/2)	
Operating Temp.	Operating	-40 - 85 °C (-40 - 185 °F)
	Explosion	-40 - 60 °C (-40 - 140 °F)
	LCD	-30 - 85 °C (-22 - 185 °F)
Linearity	±1% F.S.	
Hysteresis	±0.2% F.S.	
Sensitivity	±0.2% F.S.	
Explosion Protection Type	KCs Ex d IIC T6	
Ingress Protection	IP67	
Material	Aluminium Diecasting	Stainless Steel 316
Weight	1.3 kg (2.9 lb)	2.8 kg (6.17 lb)

Product Code

SPTM-6V - L - C - 1

Model

SPTM-6V = Flameproof Aluminum
SPTM-65V = Flameproof Stainless Steel

Motion Type

L = Linear
R = Rotary

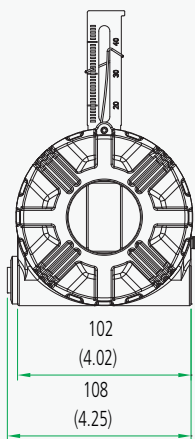
Explosion Protection

C = Ex d IIC T6

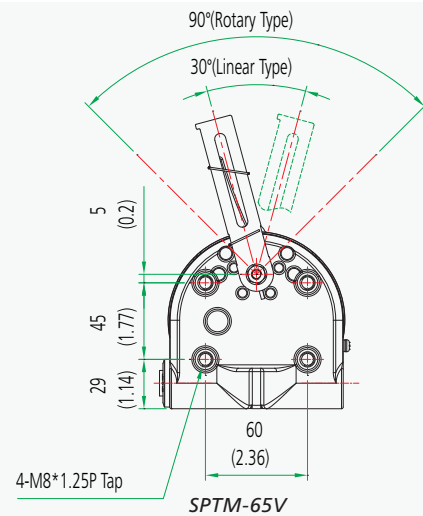
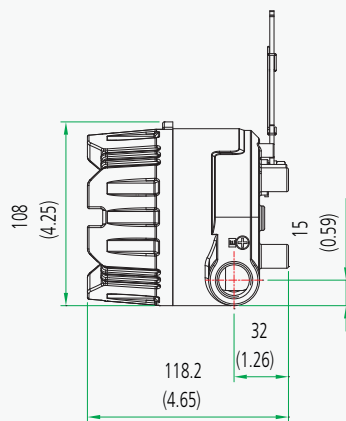
Lever Type

Linear	Rotary
1 = 10-40 mm	1 = Standard
2 = 20-70 mm	2 = NAMUR
3 = 50-100 mm	
4 = 100-150 mm	

Dimensions: mm (Inches ")



SPTM-6V



SPTM-65V