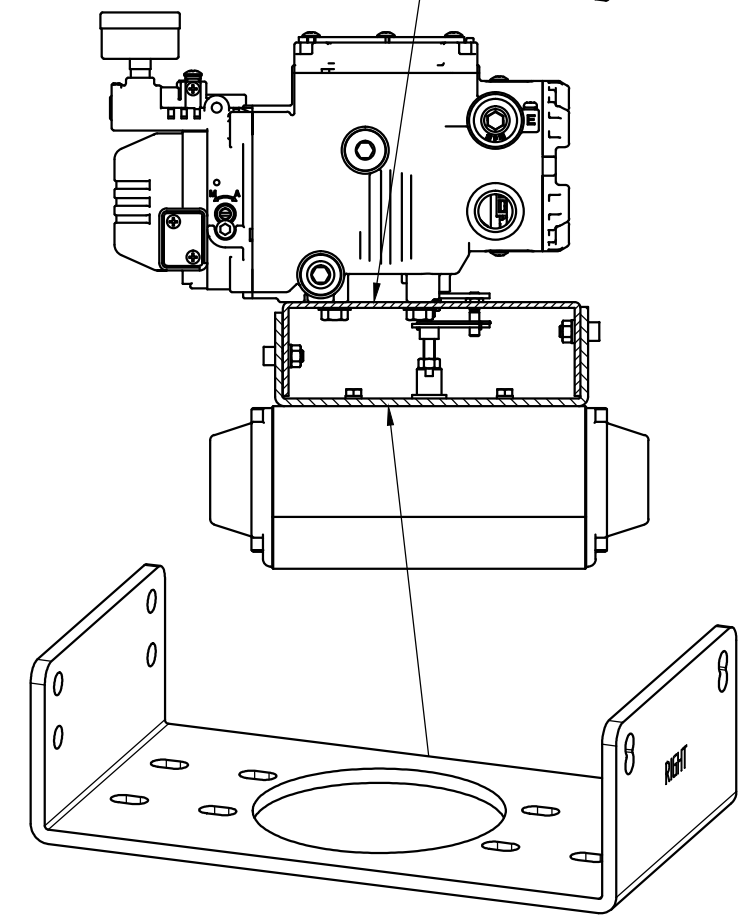
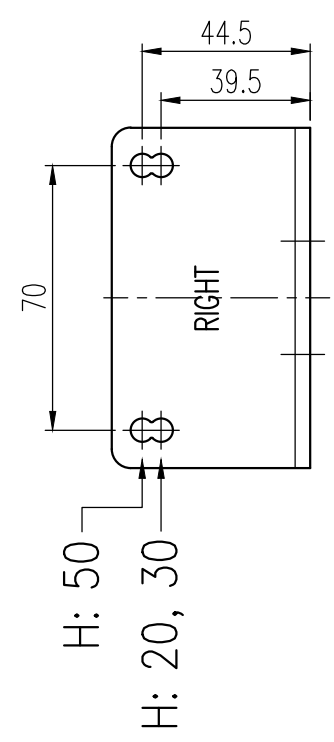
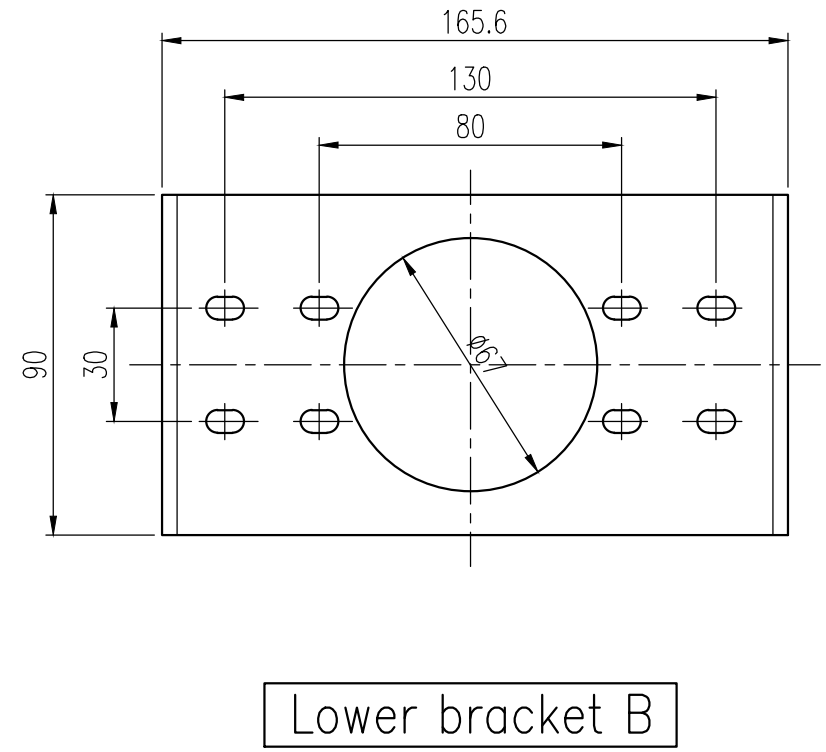
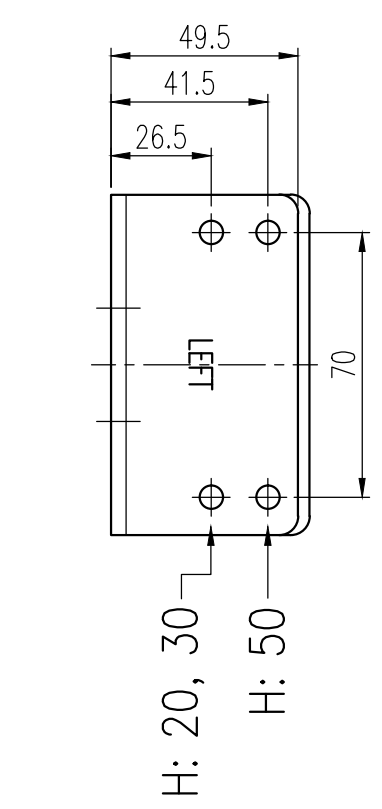
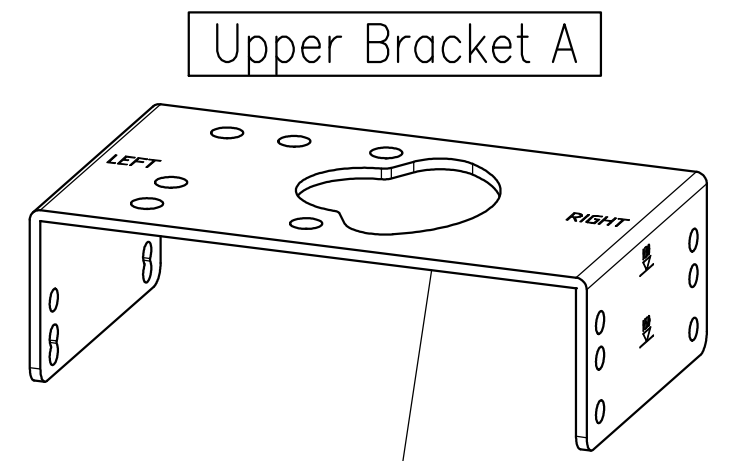
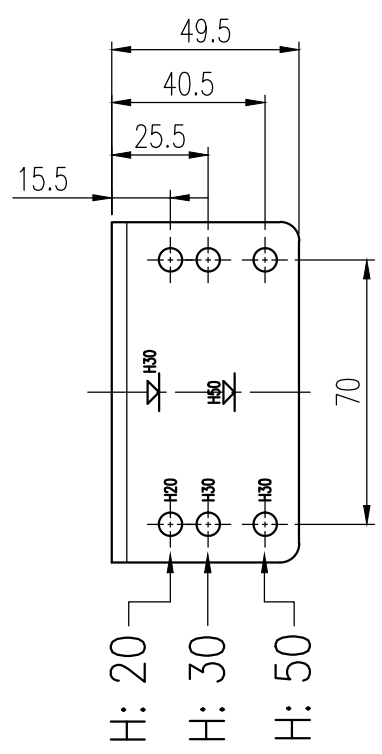
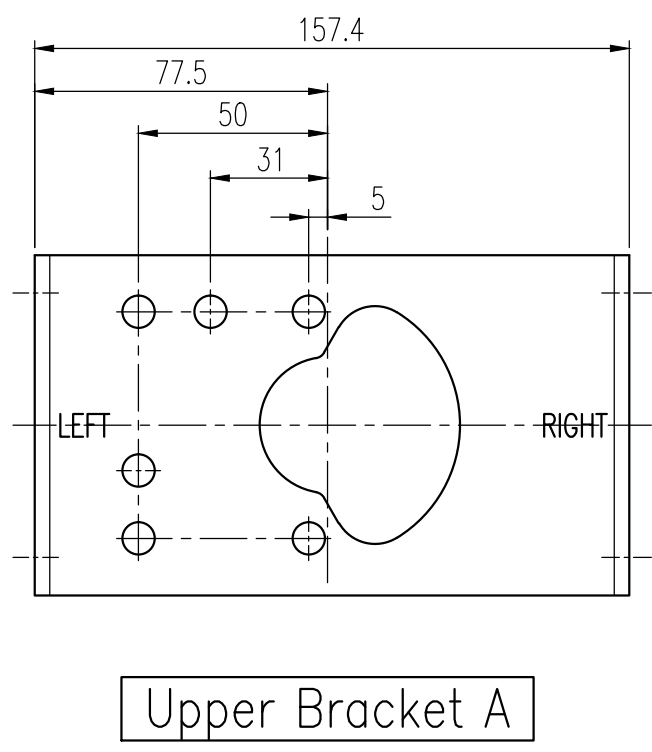
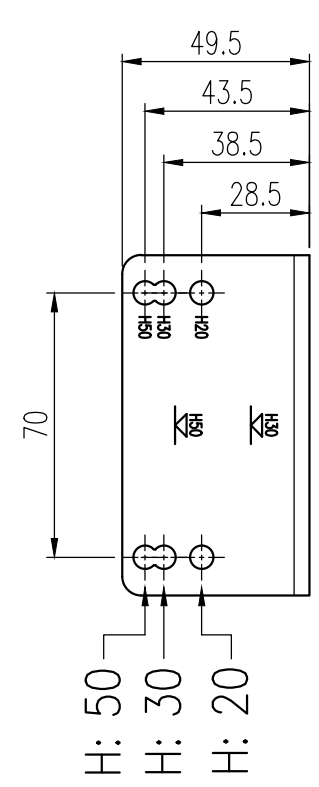


REV.NO.	REVISION DESCRIPTION	DRAWN / DATE	REVIEWED / DATE	APPROVED / DATE
△1	ISSUED FOR APPROVAL	HSS/20050607		
△1	REVISION	KCH/20111018		
△1	REVISION	KBJ/20120213		
△1	Added marking about direction	KSH/20180626	JCS/20180626	KTJ/20180626



NOTE
1. YT-2500, 2550, 2600, 3400과 공용.

SURFACE TEXTURE		PRODUCT NAME SMART POSITIONER		PROJECT NAME -	
FINISH TREATMENT		MODEL -		YTC YOUNG TECH CO., LTD. GIMPO-SI, KOREA	
MATERIAL		PROJECTION 3rd	SCALE 1 / 2	TITLE ROTARY BRACKET SERIES (YT-2500, 2550, 2600, 3400)	
OTHERWISE NOTE		GENERAL TOLERANCE	QUANTITY 1	DRAWING NO. -	REV. 3
			SHEET No. 1 / 1		