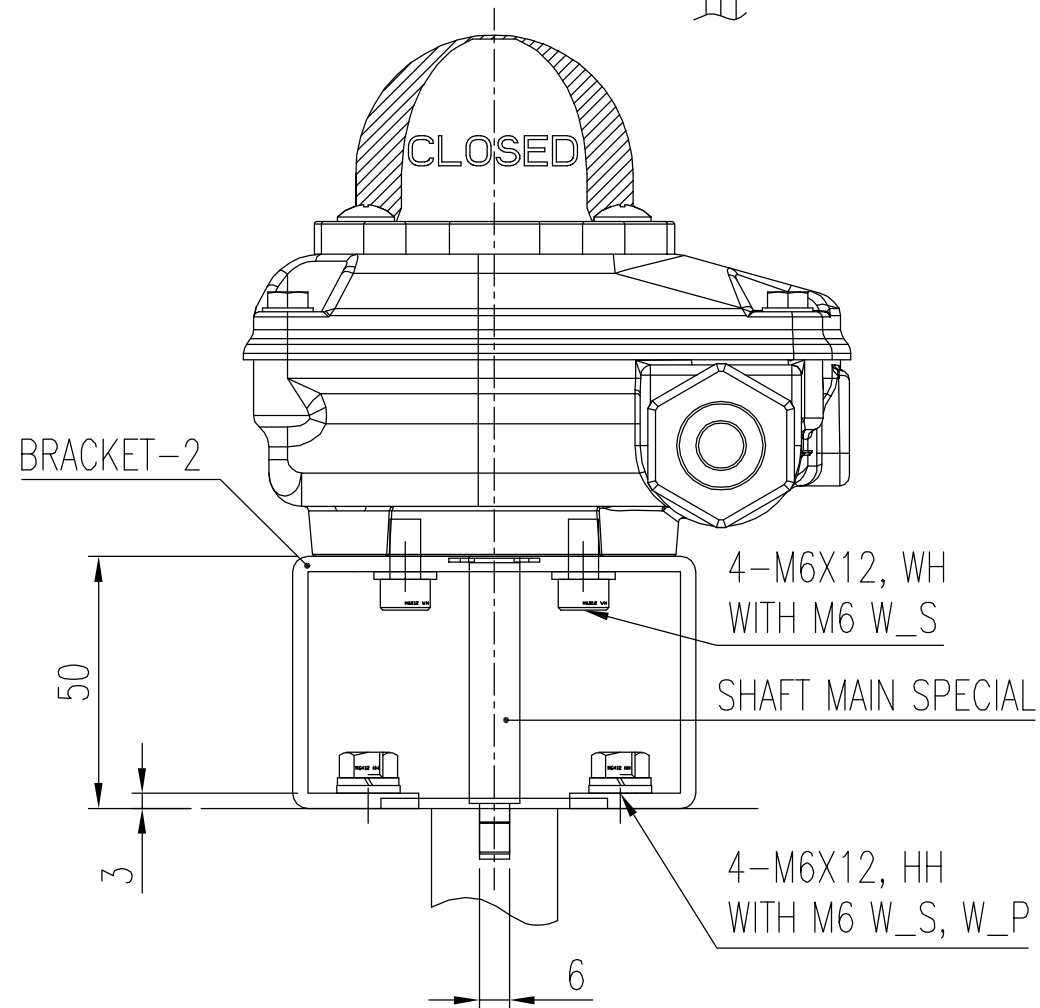
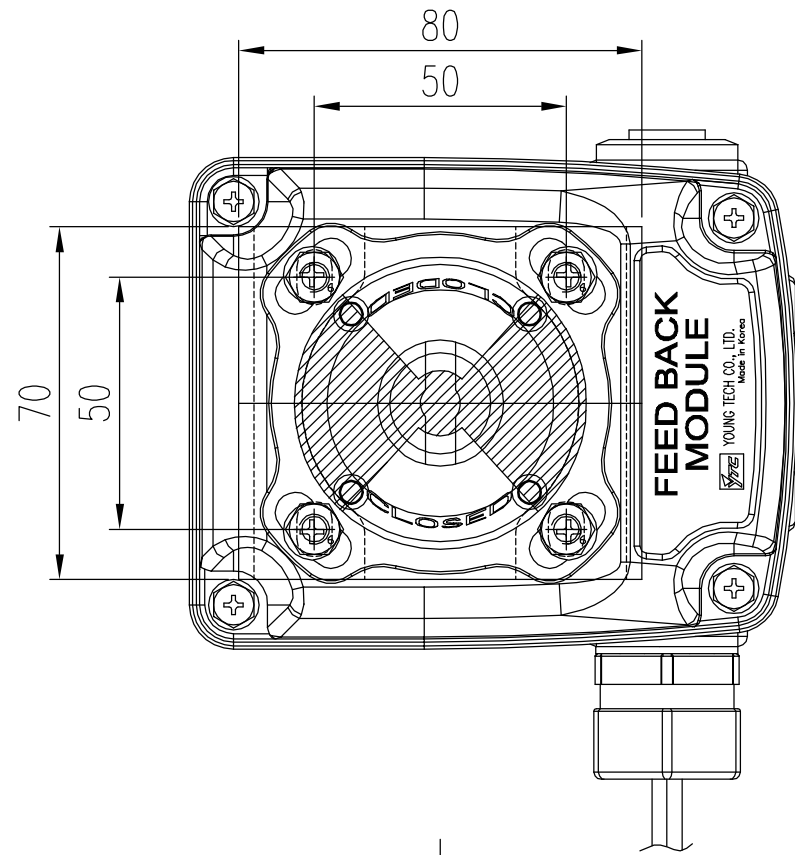


REV.NO.	REVISION DESCRIPTION	DRAWN / DATE	REVIEWED / DATE	APPROVED / DATE
△	최초작성	김봉진/20161024		정찬성/20161024
△				



NOTE

1. YAMATAKE 교체건

PROJECT NAME 광양포스코

SURFACE TEXTURE	-	PRODUCT NAME	SMART POSITIONER		
FINISH TREATMENT	-	MODEL	YT-3301		
MATERIAL	-	PROJECTION	3rd	SCALE	1 / 1.5
OTHERWISE NOTE	-	GENERAL TOLERANCE	±0.1		DRAWING NO. 광양포스코-05 REV. 0
		QUANTITY	1	SHEET No.	

2016.07.12